

SmartArena TERA Gen3r RGB



SPECIFICATIONS

Luminous flux	Solo: red: 1,600 Lm green: 5,900 Lm blue: 1,200 Lm Duo: red: 3,200 Lm green: 11,800 blue: 2,400 Lm Quattro: red: 6,400 Lm green: 23,600 Lm blue: 4,800 Lm
Rated power Rated voltage	Solo: 200 W Duo: 400 W Quattro: 800 W AC 220-240 V / 50/60 Hz
Overvoltage protection	6kV DM, 10kV CM
Light distribution interchangeable optical system	The following reflectors are available: R 10° R 15° R 25° R 35° R 45° R 60°
Color temperature	RGB
Power factor	> 0,96
IP protection class	IP66
Dimensions (with bracket, without optics – width x height x depth)	Solo: 300 x 417 x 140 mm Duo: 300 x 777 x 300 mm Quattro: 632 x 748 x 421 mm
Weight	Solo: 8 kg Duo: 12 kg Quattro: 32 kg
Luminous flux maintenance	50,000 h L90, min. 120,000 h L80 (Ta = 15° C)
Flicker	< 1 % – even when dimmed
Camera suitability	HD UHD/4k, 8k, SSM (super slow motion), High Speed
Aw/m ²	0.34
Maximal ambient temperature	Ta: +25° C
Impact resistance	IK08
Certifications	Ball impact safety – optionally available depending on the optical system
CRI	up to 90+

The specified values are maximum values, which may vary depending on the specific use case. The voltage range must be defined for the project before ordering. The SmartArena TERA Gen3r series is only intended for the illumination of indoor and outdoor sports venues.

UPGRADES

DLC-System (Direct-Light-Control)	System for limiting glare and brightening rooms using geometric cut-off technology
DMX/RDM Dimming	0-100%



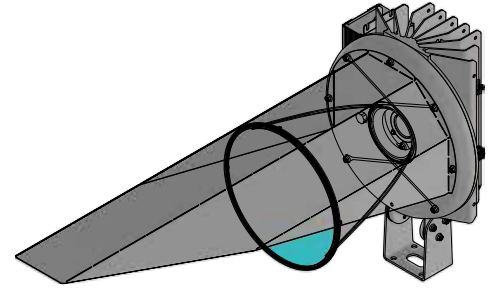
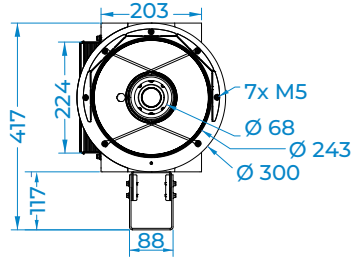
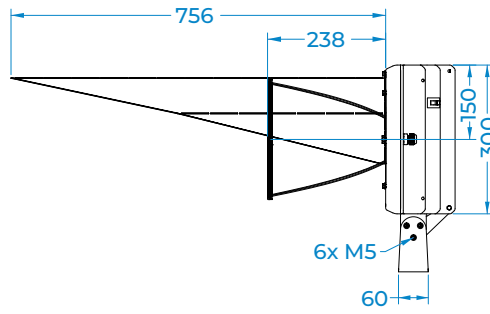
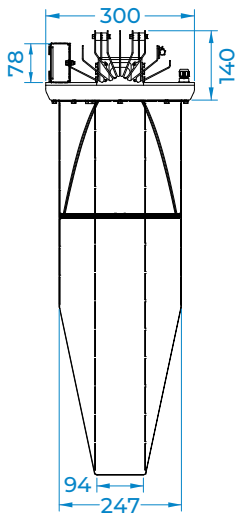
Preworks GmbH
Technologiepark 4/1
8510 Stainz / Austria

SmartArena – a brand of
Preworks GmbH

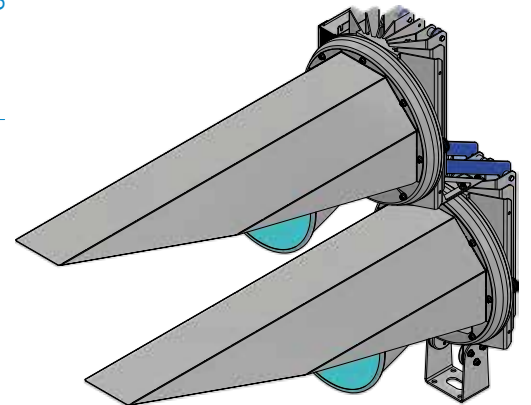
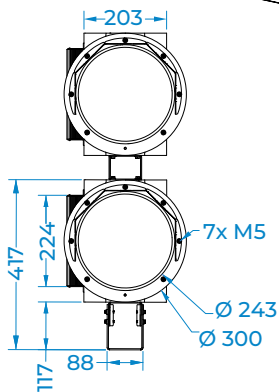
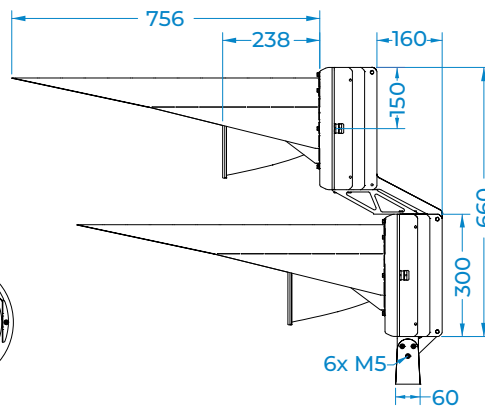
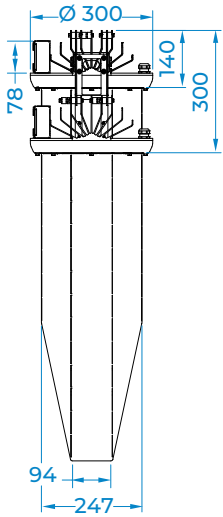
+43 3463 82317
info@smart-arena.com
smart-arena.com



SmartArena
TERA Gen3r
 Solo 10°-60°



SmartArena
TERA Gen3r
 Duo 10°-60°



SmartArena
TERA Gen3r
 Quattro 10°-60°

