

SmartArena TERA Gen3r RGBW



SPECIFICATIONS

Luminous flux	Duo: red: 1,600 Lm green: 5,900 blue: 1,200 Lm white: up to 50,000 Lm Quattro: red: 3,200 Lm green: 11,800 Lm blue: 2,400 Lm white: up to 100,000 Lm
Rated power Rated voltage	Duo: 500 W Quattro: 1,000 W AC 220-240 V / 50/60 Hz
Overvoltage protection	6kV DM, 10kV CM
Light distribution interchangeable optical system	The following reflectors are available: R 10° R 15° R 25° R 35° R 45° R 60°
Color temperature	RGBW
Power factor	> 0,96
IP protection class	IP66
Dimensions (with bracket, without optics – width x height x depth)	Duo: 300 x 777 x 300 mm Quattro: 632 x 748 x 421 mm
Weight	Duo: 12 kg Quattro: 32 kg
Luminous flux maintenance	50,000 h L90, min. 120,000 h L80 (Ta = 15° C)
Flicker	< 1 % – even when dimmed
Camera suitability	HD UHD/4k, 8k, SSM (super slow motion), High Speed
Aw/m ²	0.34
Maximal ambient temperature	Ta: +25° C
Impact resistance	IK08
Certifications	Ball impact safety – optionally available depending on the optical system
CRI	up to 90+

The specified values are maximum values, which may vary depending on the specific use case. The voltage range must be defined for the project before ordering. The SmartArena TERA Gen3r series is only intended for the illumination of indoor and outdoor sports venues.

UPGRADES

DLC-System (Direct-Light-Control)	System for limiting glare and brightening rooms using geometric cut-off technology
DMX/RDM Dimming	0-100%
DALI Dimming	DALI-2 / D4i



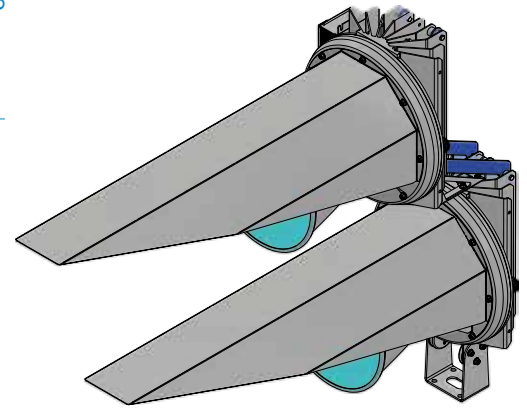
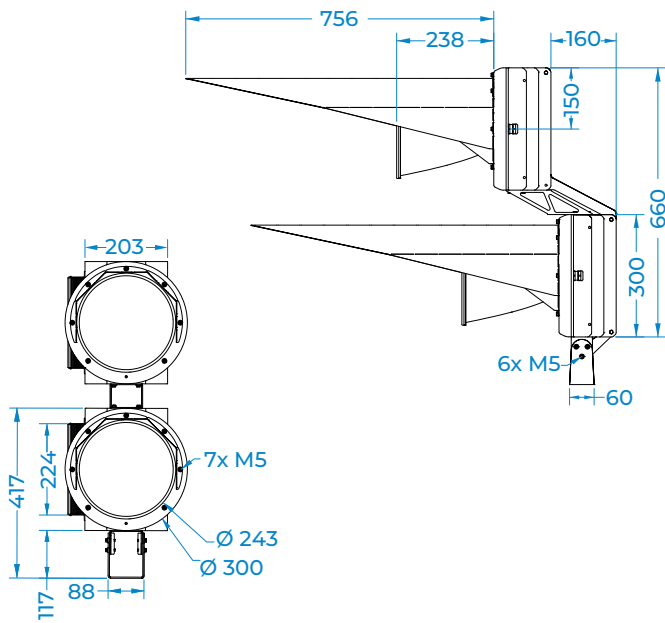
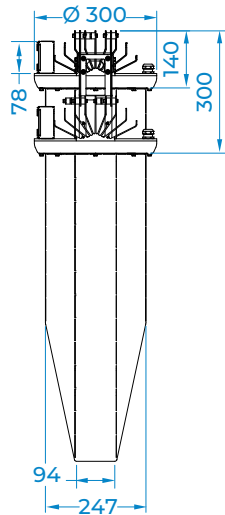
Preworks GmbH
Technologiepark 4/1
8510 Stainz / Austria

SmartArena – a brand of
Preworks GmbH

+43 3463 82317
info@smart-arena.com
smart-arena.com



SmartArena
TERA Gen3r
Duo 10°-60°



SmartArena
TERA Gen3r
Quattro 10°-60°

