

SmartArena TERA Gen3r Solo



SPECIFICATIONS

Luminous flux	up to 52,000Lm
Rated power Rated voltage	200-375 W AC 220-240 V / 50/60 Hz optionally: AC 400 V / 50/60 Hz
Overvoltage protection	6kV DM, 10kV CM
Light distribution interchangeable optical system	The following reflectors are available: R 10° R 15° R 25° R 35° R 45° R 60°
Color temperature	3000 / 4000 / 5700 / TW / RGB
Power factor	> 0.98
IP protection class	IP66 / IP67
Dimensions	300 x 417 x 140 mm (width x height x depth – with bracket, without optics)
Weight	8 kg
Luminous flux maintenance	50,000 h L90, min. 120,000 h L80 (Ta = 15° C)
Flicker	< 1 % – even when dimmed
Camera suitability	HD UHD/4k, 8k, SSM (super slow motion), High Speed
Aw/m ²	0.085
Maximal ambient temperature	Ta: +40° C
Impact resistance	IK08
Ball throwing safety	Optionally available depending on the optical system
CRI	70 / 80 / 90+

The specified values are maximum values, which may vary depending on the specific use case. The voltage range must be defined for the project before ordering. The SmartArena TERA Gen3r series is only intended for the illumination of indoor and outdoor sports venues.

UPGRADES

DLC-System (Direct-Light-Control)	System for limiting glare and brightening rooms using geometric cut-off technology
Switch Dimming	Up to 3 freely programmable dimming levels – Retro-Fit: completely without additional wiring
DMX/RDM Dimming	10-100 % stufenlos
DALI Dimming	DALI-2 / D4i



Preworks GmbH
Technologiepark 4/1
8510 Stainz / Austria

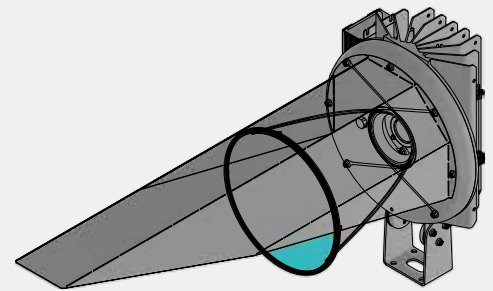
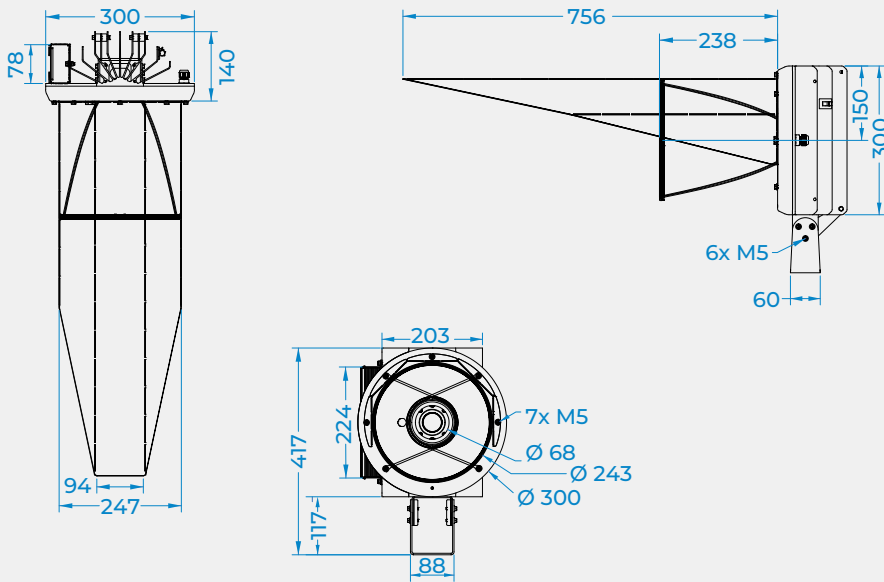
SmartArena – a brand of
Preworks GmbH

+43 3463 82317
info@smart-arena.com
smart-arena.com

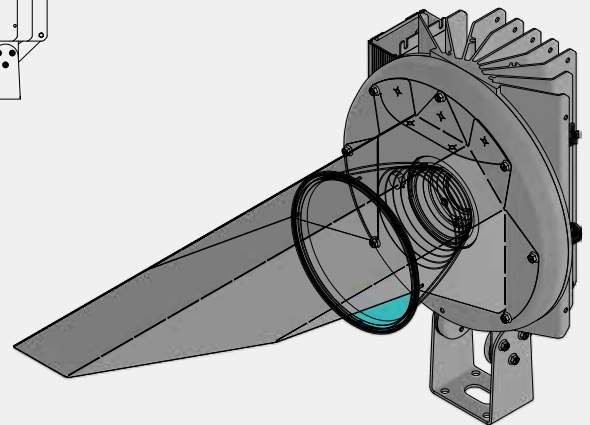
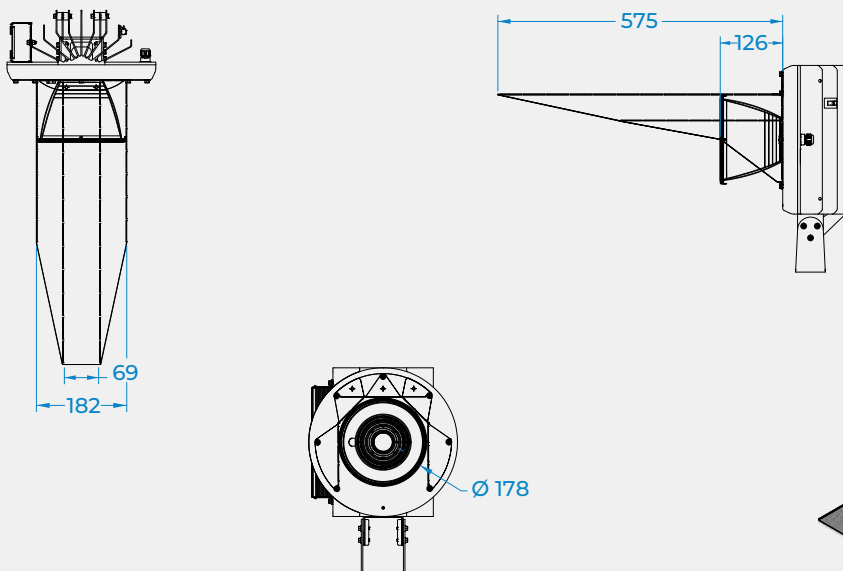
SCAN
QR CODE



SmartArena
TERA Gen3r
Solo 10°



SmartArena
TERA Gen3r
Solo 15°-25°



SmartArena
TERA Gen3r
Solo 35°-60°

