

# SmartArena TERA Gen3r Quattro



## SPECIFICATIONS

Luminous flux	up to 208,000 Lm
Rated power   Rated voltage	800-1500 W   AC 220-240 V / 50/60 Hz optionally: AC 400 V / 50/60 Hz
Overvoltage protection	6kV DM, 10kV CM
Light distribution interchangeable optical system	The following reflectors are available: R 10°   R 15°   R 25°   R 35°   R 45°   R 60°
Color temperature	3000 / 4000 / 5700 / TW / RGB
Power factor	> 0.98
IP protection class	IP66 / IP67
Dimensions	632 x 748 x 421 mm (width x height x depth – with bracket, without optics)
Weight	32 kg
Luminous flux maintenance	50,000 h L90, min. 120,000 h L80 (Ta = 15° C)
Flicker	< 1 % – even when dimmed
Camera suitability	HD UHD/4k, 8k, SSM (super slow motion), High Speed
Aw/m <sup>2</sup>	0.34
Maximal ambient temperature	Ta: +40° C
Impact resistance	IK08
Ball throwing safety	Optionally available depending on the optical system
CRI	70 / 80 / 90+

The specified values are maximum values, which may vary depending on the specific use case. The voltage range must be defined for the project before ordering. The SmartArena TERA Gen3r series is only intended for the illumination of indoor and outdoor sports venues.

## UPGRADES

DLC-System (Direct-Light-Control)	System for limiting glare and brightening rooms using geometric cut-off technology
Switch Dimming	Up to 3 freely programmable dimming levels – Retro-Fit: completely without additional wiring
DMX/RDM Dimming	10-100% stepless
DALI Dimming	DALI-2 / D4i



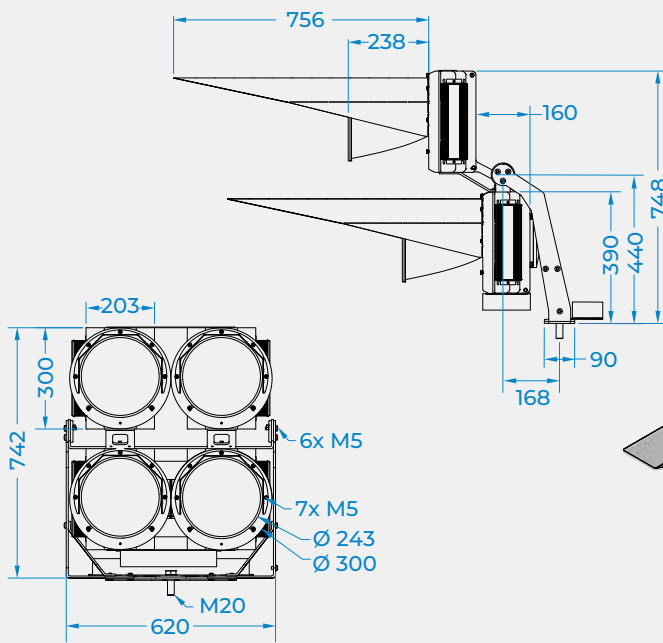
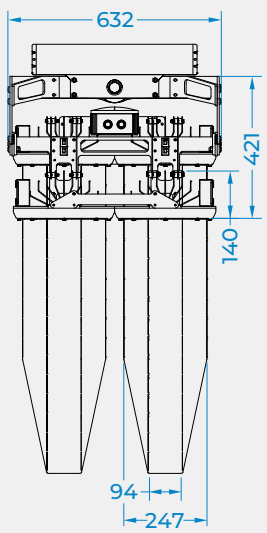
Preworks GmbH  
Technologiepark 4/1  
8510 Stainz / Austria

SmartArena – a brand of  
Preworks GmbH

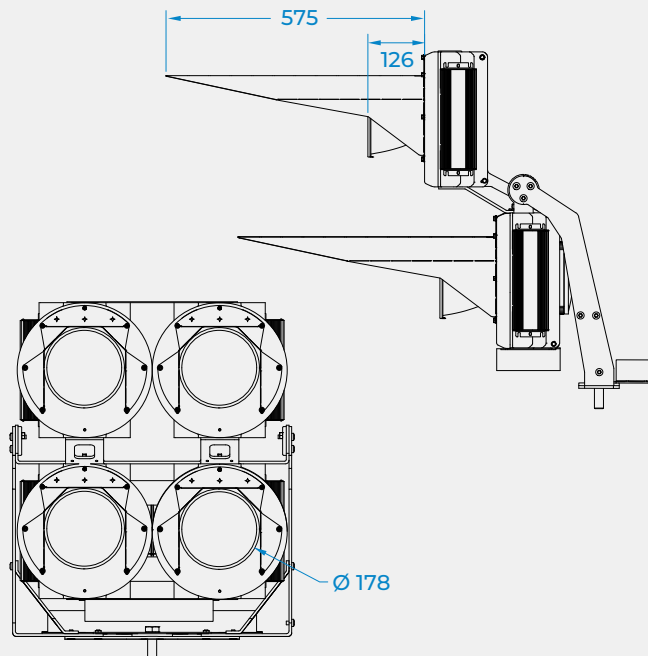
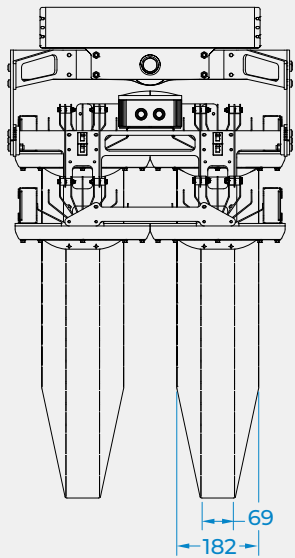
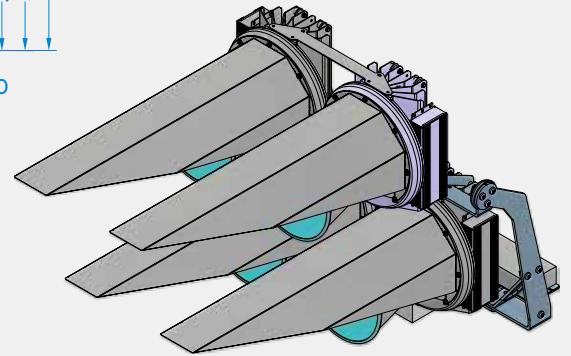
+43 3463 82317  
info@smart-arena.com  
smart-arena.com

SCAN  
QR CODE

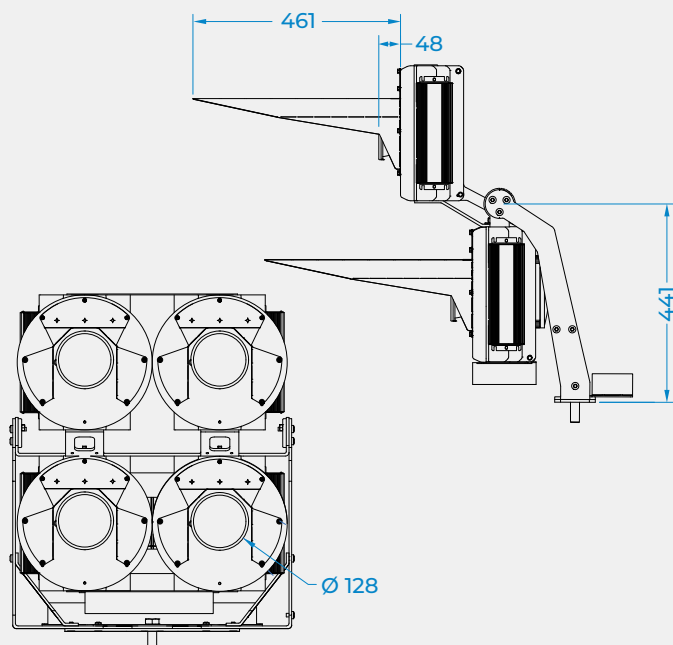
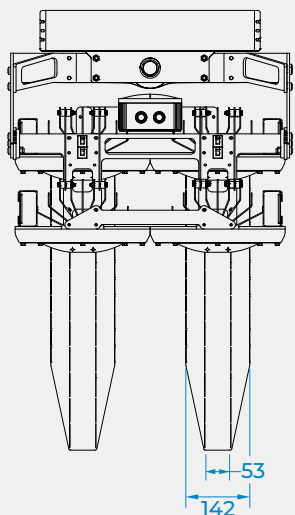
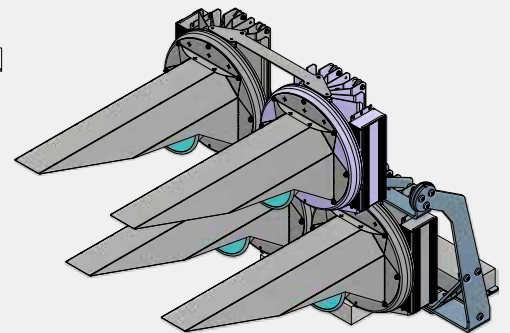




## SmartArena TERA Gen3r Quattro 10°



## SmartArena TERA Gen3r Quattro 15°-25°



## SmartArena TERA Gen3r Quattro 35°-60°

